

# CREATON MANSARD TILE

## DATA ENTRY FORM FOR SPECIAL PRODUCTION

Please complete **in full** and send to [bestellungdach@creaton.de](mailto:bestellungdach@creaton.de).

### Invoice recipient contact details

Company

Last name / first name

Street number / street name

Town/city / post code / country

Telephone

E-mail address

Order number

### Installer contact details

Company

Last name / first name

Street number / street name

Town/city / post code / country

Telephone

E-mail address

### Variant 1 – mansard tile

**Dimensions: x = 80 mm, y = 180 mm**

The following CREATON clay roof tile models are suitable for these dimensions:

MZ3, MZ3 KLASSIK, HARMONIE, TERRA OPTIMA, CANTUS, ELEGANZ, DOMINO, RATIO, RUSTICO, MELODIE, ETRUSKO, HERZZIEGEL

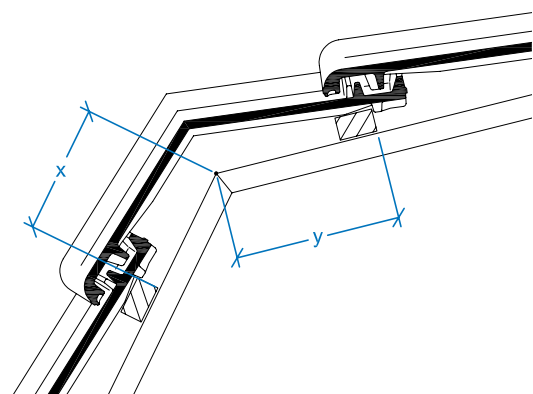
### Variant 2 – mansard tile

**Dimensions: x = 170 mm, y = 220 mm**

The following CREATON clay roof tile models are suitable for these dimensions:

MAGNUM, BALANCE, TITANIA, FUTURA, PREMION, VIVA, RAPIDO, SINFONIE, REGIUS, MAXIMA PRO, VISIO, MIKADO

### Graphic showing mansard tiles



**Custom dimensions** (in cm)

x

y

**Steeper roof pitch** (in degrees)

**Lower roof pitch** (in degrees)

**Bearing batten cross-section**  
(e.g. 30 mm x 50 mm)

**Product specifications**

Clay roof tile model

Colour

**Order quantity**

Mansard tile

Mansard verge right

Mansard verge left

**Other**

Place

Date

Signature

■ **Print**

■ **Send**